



**Book 2026 Page 1347**  
**Document 2026 1347 Type 06 007 Pages 1**  
**Date 5/21/2026 Time 2:57:36PM**  
**Rec Amt \$7.00**

**Daneen Schindler, RECORDER/REGISTRAR**  
**DELAWARE COUNTY IOWA**

*CRK*

PREPARED BY: RANDALL L. RATTENBORG 105 WEST MAIN STREET MANCHESTER, IA 52057, 563-927-2434

**UNITED STATES PUBLIC LAND SURVEY CORNER CERTIFICATE**

Land Survey Monuments situated in Section 10 , Township 90 North, Range 5 West of the Fifth Principal Meridian,  
Delaware County, Iowa.

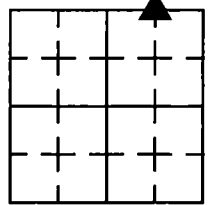
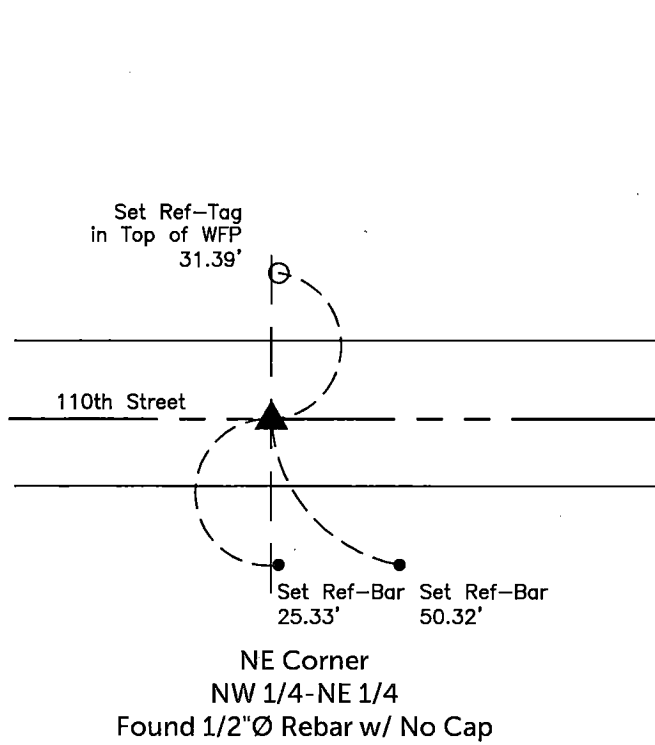
Previously recorded in County Recorder's Office in Book 2005, Page 2512

(book, page, document number, etc.)

NE Corner of the NW 1/4-NE 1/4, Found 1/2"Ø rebar no cap based upon a plat of survey on June 21, 1989 by Roger R. Mohn recorded in Book 6, Page 47 and a plat recorded on July 5, 2005 by William Burger in Book 2005, Page 2326, both on file at the Delaware County Recorder's office in Manchester, Iowa

**PLAN VIEW**

(Show a minimum of three reference ties to durable physical objects, relevant monuments and physical conditions that will enable recovery of the corner.)



SECTION 10, T 90 N, R 5 W

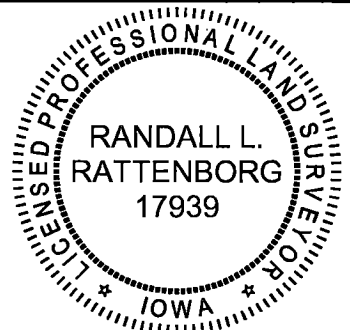
NE Corner  
 NW 1/4-NE 1/4  
 Found 1/2"Ø Rebar w/ No Cap

TIES ARE TO PLAT West Place Subdivision  
 IN SECTION 10, T 90 N, R 5 W

BURRINGTON GROUP, INC. PROJECT NO. 24-073

I HEREBY CERTIFY THAT THIS LAND SURVEYING DOCUMENT WAS PREPARED AND THE RELATED SURVEY WORK WAS PERFORMED BY ME OR UNDER MY DIRECT PERSONAL SUPERVISION AND THAT I AM A DULY LICENSED PROFESSIONAL LAND SURVEYOR UNDER THE LAWS OF THE STATE OF IOWA.

SEAL COVERS THIS SHEET ONLY



*[Signature]* *5/21/2026*  
 Randall L. Rattenborg, P.L.S. License #17939 Date  
 My license renewal date is December 31, 2027  
 List Corners to be Indexed: Section Township Range  
 NE Corner NW 1/4 - NE 1/4 10 T 90N R 5 W

**BURRINGTON GROUP, INC.**  
 Civil Engineering | Land Surveying  
 105 W. Main Street Manchester, Iowa 52057