



Book 2026 Page 1163  
 Document 2026 1163 Type 06 007 Pages 1  
 Date 5/08/2026 Time 12:07:37PM  
 Rec Amt \$7.00

Daneen Schindler, RECORDER/REGISTRAR  
 DELAWARE COUNTY IOWA

PREPARED BY: RANDALL L. RATTENBORG 105 WEST MAIN STREET MANCHESTER, IA 52057, 563-927-2434

# UNITED STATES PUBLIC LAND SURVEY CORNER CERTIFICATE

Land Survey Monuments situated in Section 5, Township 89 North, Range 6 West of the Fifth Principal Meridian,  
Delaware County, Iowa.

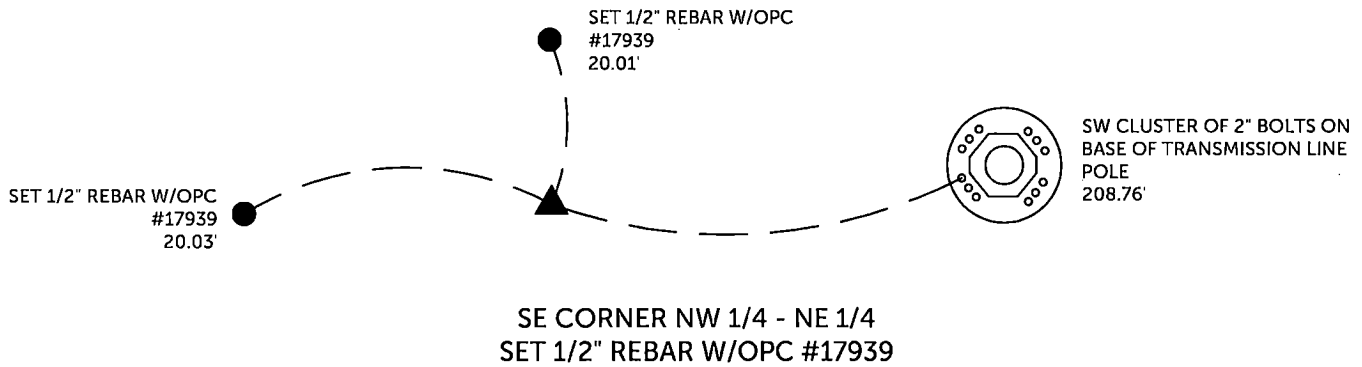
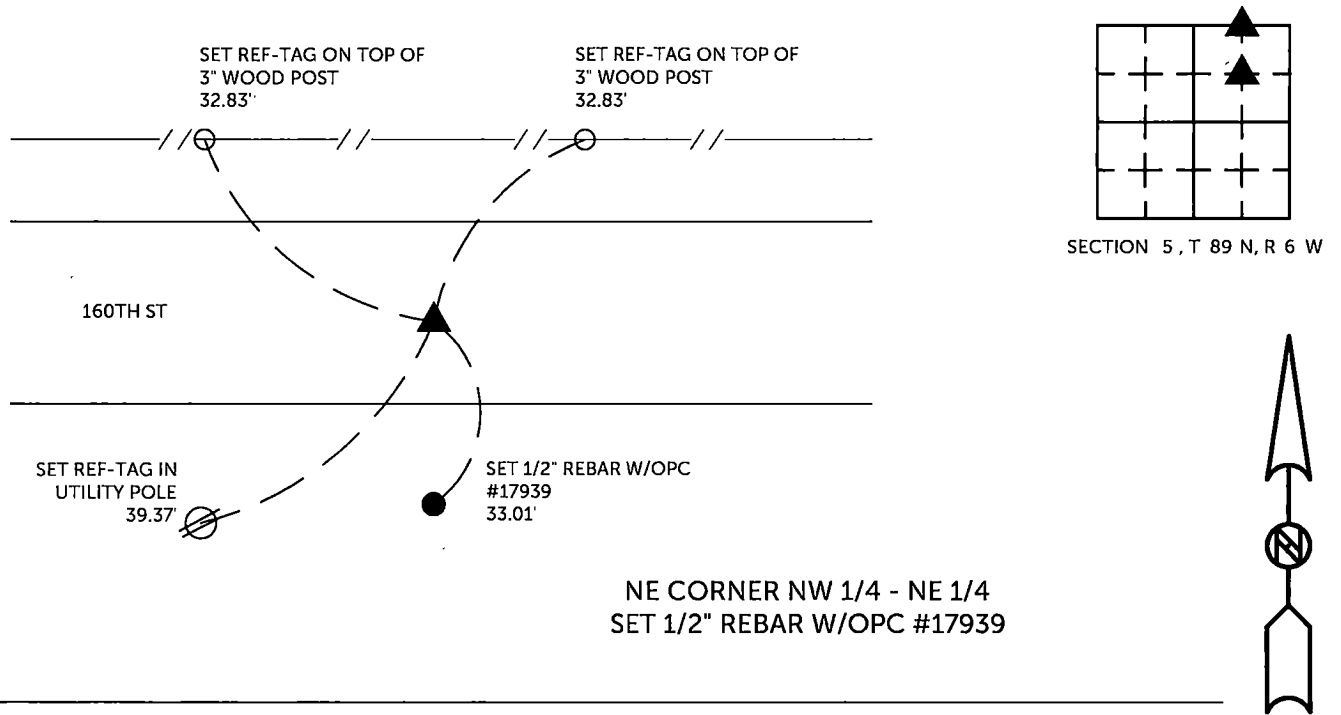
Previously recorded in County Recorder's Office in \_\_\_\_\_ Not Recorded  
(book, page, document number, etc.)

NE CORNER NW 1/4 - NE 1/4, Set 1/2" rebar w/orange cap #17939 proportional between the N 1/4 Corner and the NE Corner of Section 5 but on the line between the SE Corner of Section 32, T90N, R6W and S 1/4 Corner of Section 32 (being the same corner as the N 1/4 Corner of Section 5). According to the General Instructions to Deputy Surveyors from 1834, the line for the township to the north (T90N) controls the line and the township sections to the south (T89N) close to this line.

SE CORNER NW 1/4 - NE 1/4, Set 1/2" rebar w/orange cap #17939 at the intersection of the Quarter-Quarter lines.

## PLAN VIEW

(Show a minimum of three reference ties to durable physical objects, relevant monuments and physical conditions that will enable recovery of the corner.)




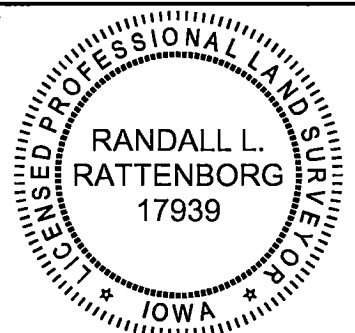
TIES ARE TO PLAT PARCEL 2026-34 & 35  
 IN SECTION 5, T 89 N, R 6 W

BURRINGTON GROUP, INC. PROJECT NO. 26-032

I HEREBY CERTIFY THAT THIS LAND SURVEYING DOCUMENT WAS PREPARED AND THE RELATED SURVEY WORK WAS PERFORMED BY ME OR UNDER MY DIRECT PERSONAL SUPERVISION AND THAT I AM A DULY LICENSED PROFESSIONAL LAND SURVEYOR UNDER THE LAWS OF THE STATE OF IOWA.

SEAL COVERS THIS SHEET ONLY

 5/7/2026  
 Randall L. Rattenborg, P.L.S. License #17939 Date  
 My license renewal date is December 31, 2027  
 List Corners to be Indexed: Section Township Range  
 NE CORNER NW 1/4 - NE 1/4 5 T 89N R 6 W  
 SE CORNER NW 1/4 - NE 1/4



**BURRINGTON GROUP, INC.**  
 Civil Engineering | Land Surveying  
 105 W. Main Street Manchester, Iowa 52057