



Book 2024 Page 1853

Document 2024 1853 Type 06 007 Pages 1
Date 8/01/2024 Time 3:30:35PM
Rec Amt \$7.00

Daneen Schindler, RECORDER/REGISTRAR
DELAWARE COUNTY IOWA

PREPARED BY: RANDALL L. RATTENBORG 105 WEST MAIN STREET MANCHESTER, IA 52057, 563-927-2434

UNITED STATES PUBLIC LAND SURVEY CORNER CERTIFICATE

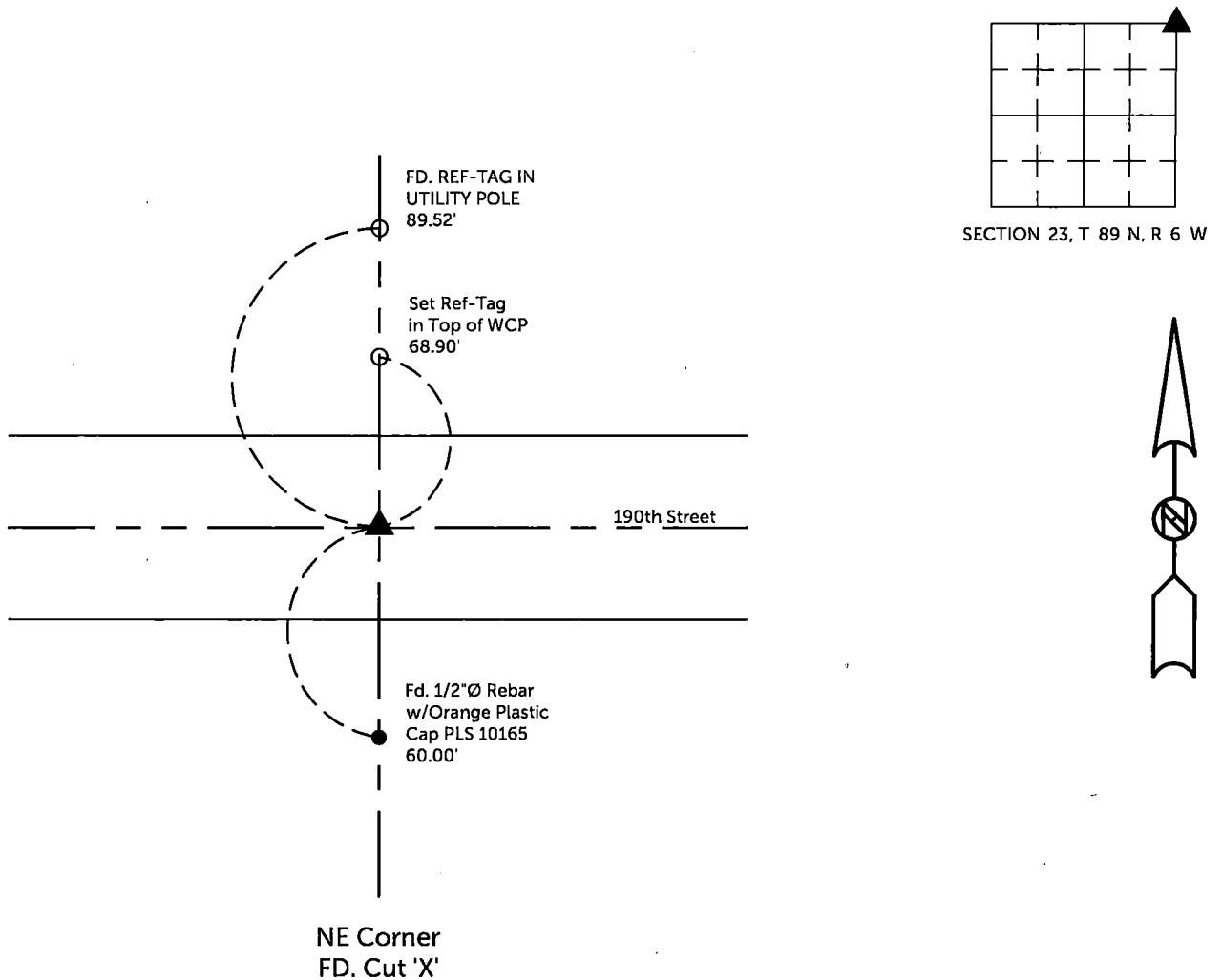
Land Survey Monuments situated in Section 23, Township 89 North, Range 6 West of the Fifth Principal Meridian,
Delaware County, Iowa.

Previously recorded in County Recorder's Office in Recorded Book 2, Page 12
(book, page, document number, etc.)

NE Corner: Found Cut 'X' without magnail as per corner certificate recorded in Book 2, Page 12. This corner was also used in plats by Roger Mohn recorded in Book 2015, Page 2717, Book 2016, Page 1556 and Book 2018, Page 1209 and no Corner Certificate was issued or updated. This certificate is being issued due to change in monument and missing tie objects.

PLAN VIEW

(Show a minimum of three reference ties to durable physical objects, relevant monuments and physical conditions that will enable recovery of the corner.)

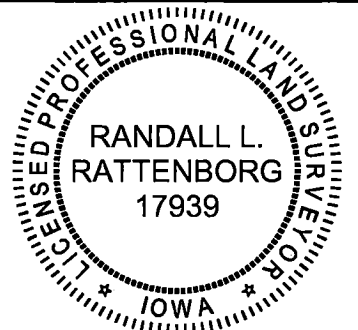


TIES ARE TO PLAT Parcels 2024-42
IN SECTION 23, T 89 N, R 6 W

BURRINGTON GROUP, INC. PROJECT NO.22-064

I HEREBY CERTIFY THAT THIS LAND SURVEYING DOCUMENT WAS PREPARED AND THE RELATED SURVEY WORK WAS PERFORMED BY ME OR UNDER MY DIRECT PERSONAL SUPERVISION AND THAT I AM A DULY LICENSED PROFESSIONAL LAND SURVEYOR UNDER THE LAWS OF THE STATE OF IOWA.

SEAL COVERS THIS SHEET ONLY



[Signature] 8/1/2024

Randall L. Rattenborg, P.L.S. License #17939 Date
My license renewal date is December 31, 2025

List Corners to be Indexed:	Section	Township	Range
NE Corner	23	T 89N	R 6 W

BURRINGTON GROUP, INC.
Civil Engineering | Land Surveying
105 W. Main Street Manchester, Iowa 52057